

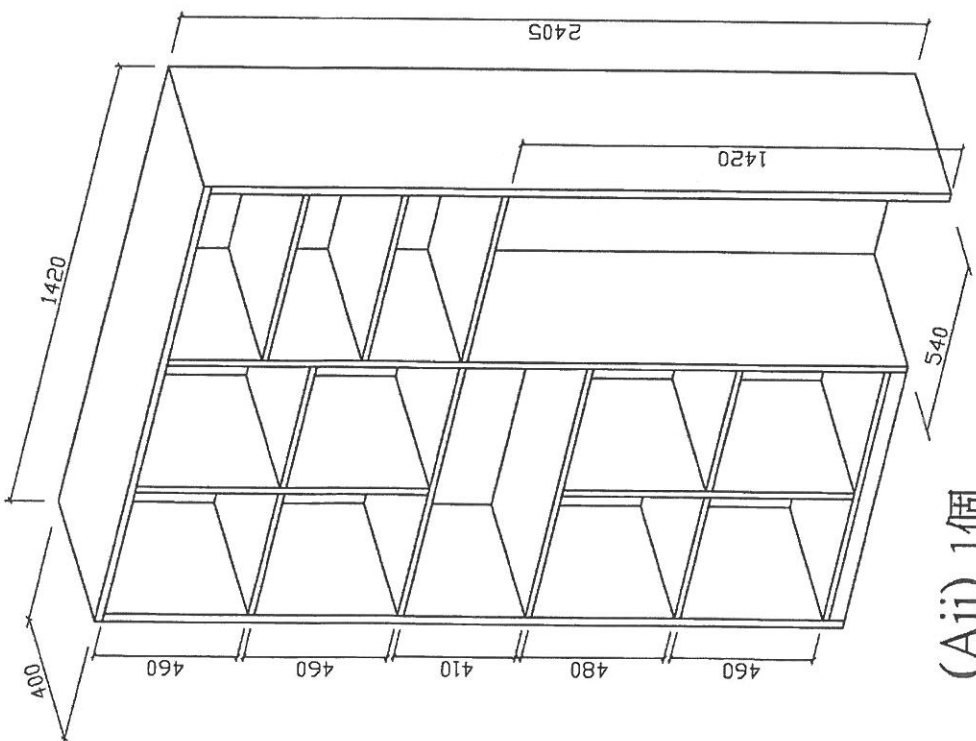
NOTES:
ALL MEASUREMENT MUST BE CHECKED AT SITE.
DO NOT SCALE DRAWING.

REV.	DATE	DESCRIPTION	INITIAL

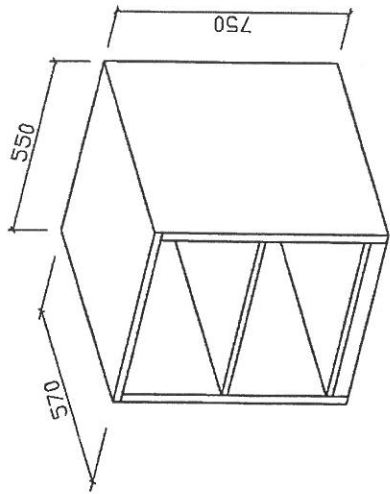
JOB:
真道書院 (小學部)

DRAWING TITLE:
特做木櫃 (509室)

SCALE:	DRAWN:
DATE:	CHECK:
DRAWING NO:	REV:



(Aii) 1個



1個 (Ai)

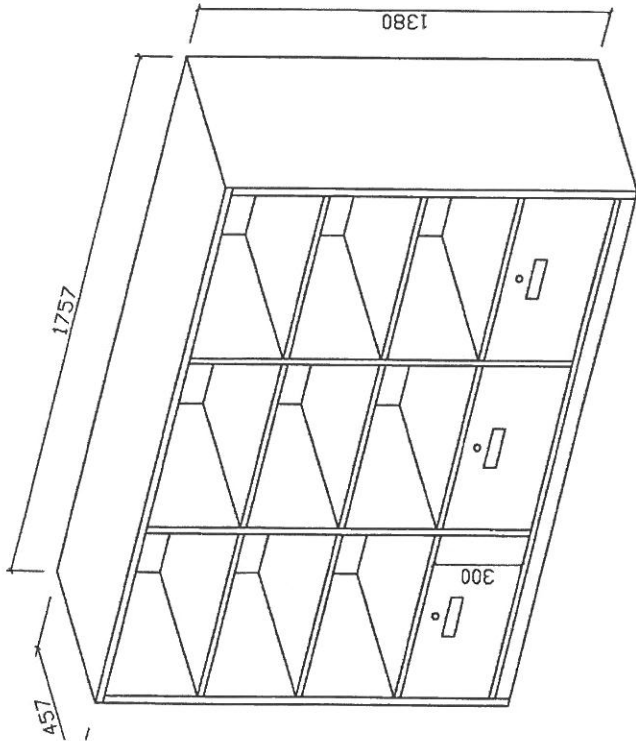
圖A

NOTES:
ALL MEASUREMENT MUST BE CHECKED AT SITE.
DO NOT SCALE DRAWING.

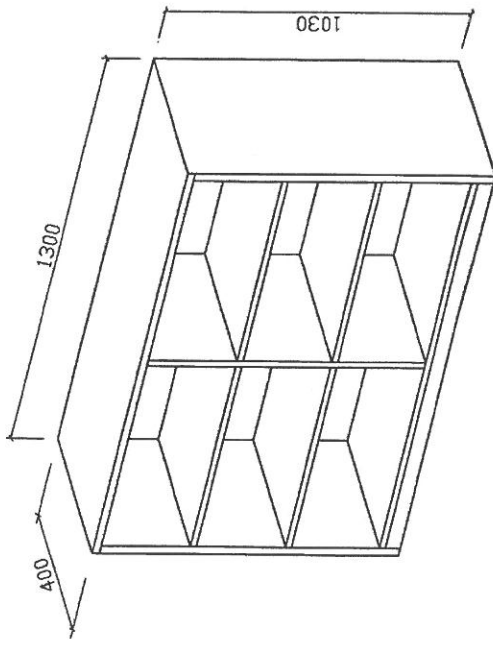
REV.	DATE	DESCRIPTION	INITIAL

JOB: 真道書院 (小學部)
DRAWING TITLE: 特做木櫃 (704室)

SCALE:	DRAWN:
DATE:	CHECK:
DRAWING NO:	REV.



3個 (Bi)



3個 (Bii)

圖B

NOTES:
ALL MEASUREMENT MUST BE CHECKED AT SITE.
DO NOT SCALE DRAWING.

REV.	DATE	DESCRIPTION	INITIAL

JOB:
真道書院(小學部)

DRAWING TITLE:
平面圖 (703室)

SCALE:	DRAWN:
DATE:	CHECK:
DRAWING NO:	REV.

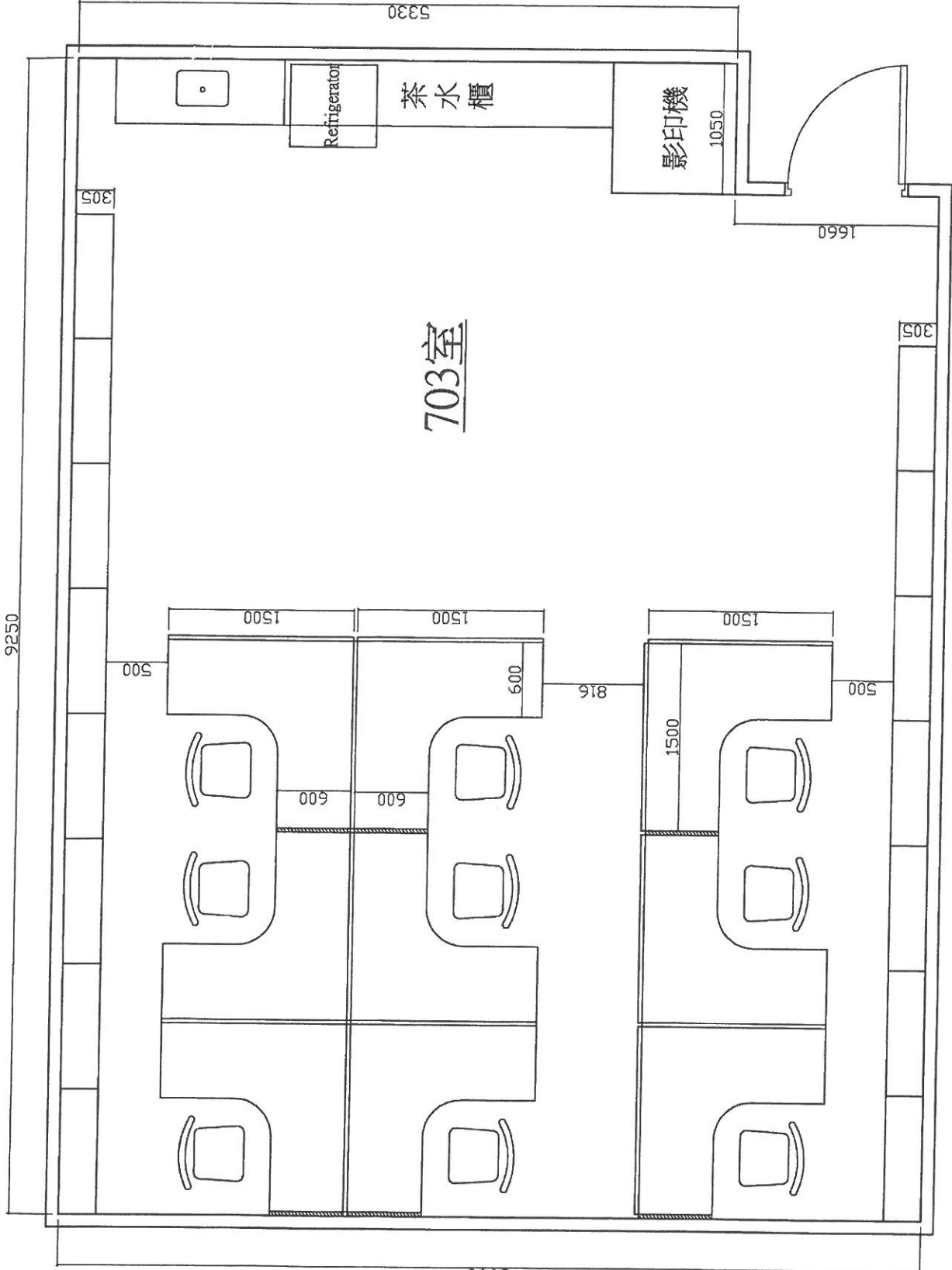


圖 C

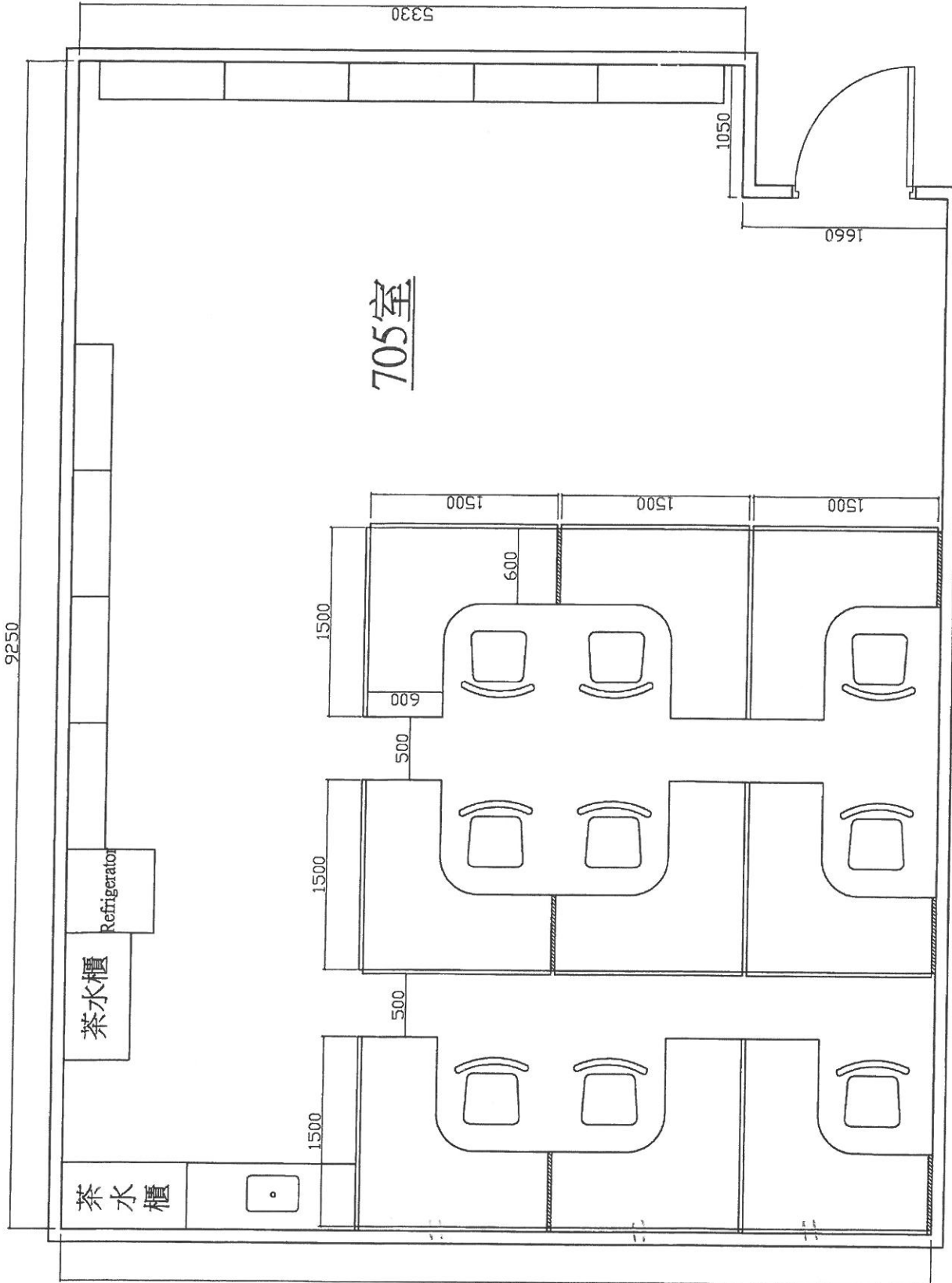
NOTES:
ALL MEASUREMENT MUST BE CHECKED AT SITE.
DO NOT SCALE DRAWING.

REV.	DATE	DESCRIPTION	INITIAL

JOB:
真道書院 (小學部)

DRAWING TITLE:
平面圖 (705室)

SCALE:	DRAWN:
DATE:	CHECK:
DRAWING NO:	REV.



圖D

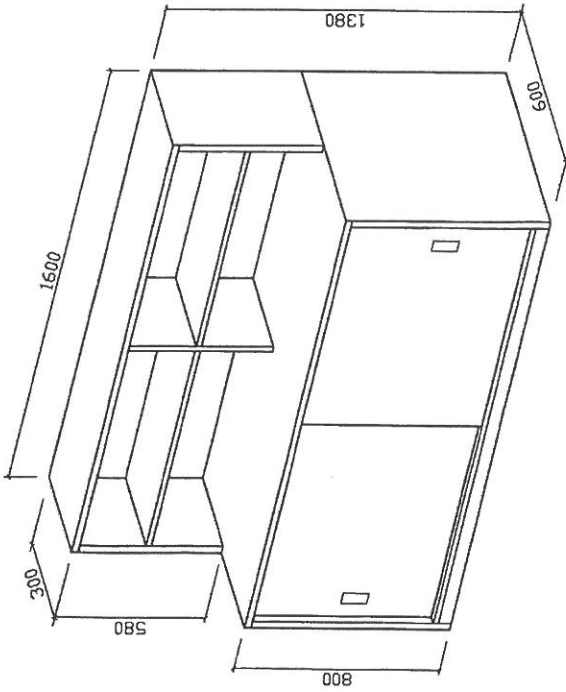
NOTES:
ALL MEASUREMENT MUST BE CHECKED AT SITE.
DO NOT SCALE DRAWING.

REV.	DATE	DESCRIPTION	INITIAL

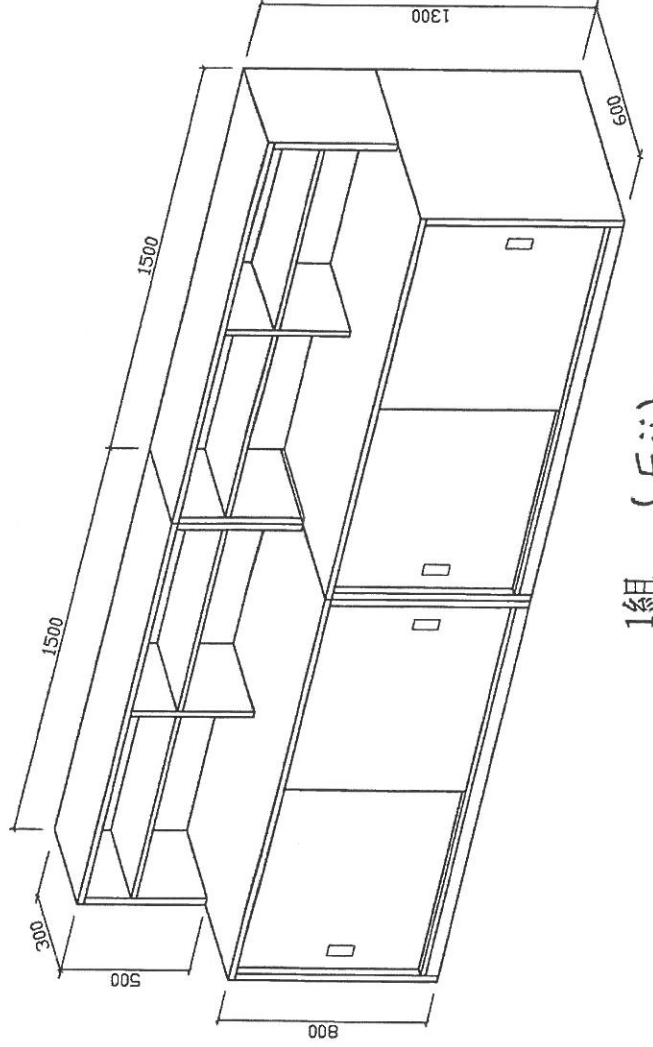
JOB:
真道書院 (中學部)

DRAWING TITLE:
茶水櫃

SCALE:	DRAWN:
DATE:	CHECK:
DRAWING NO:	REV.

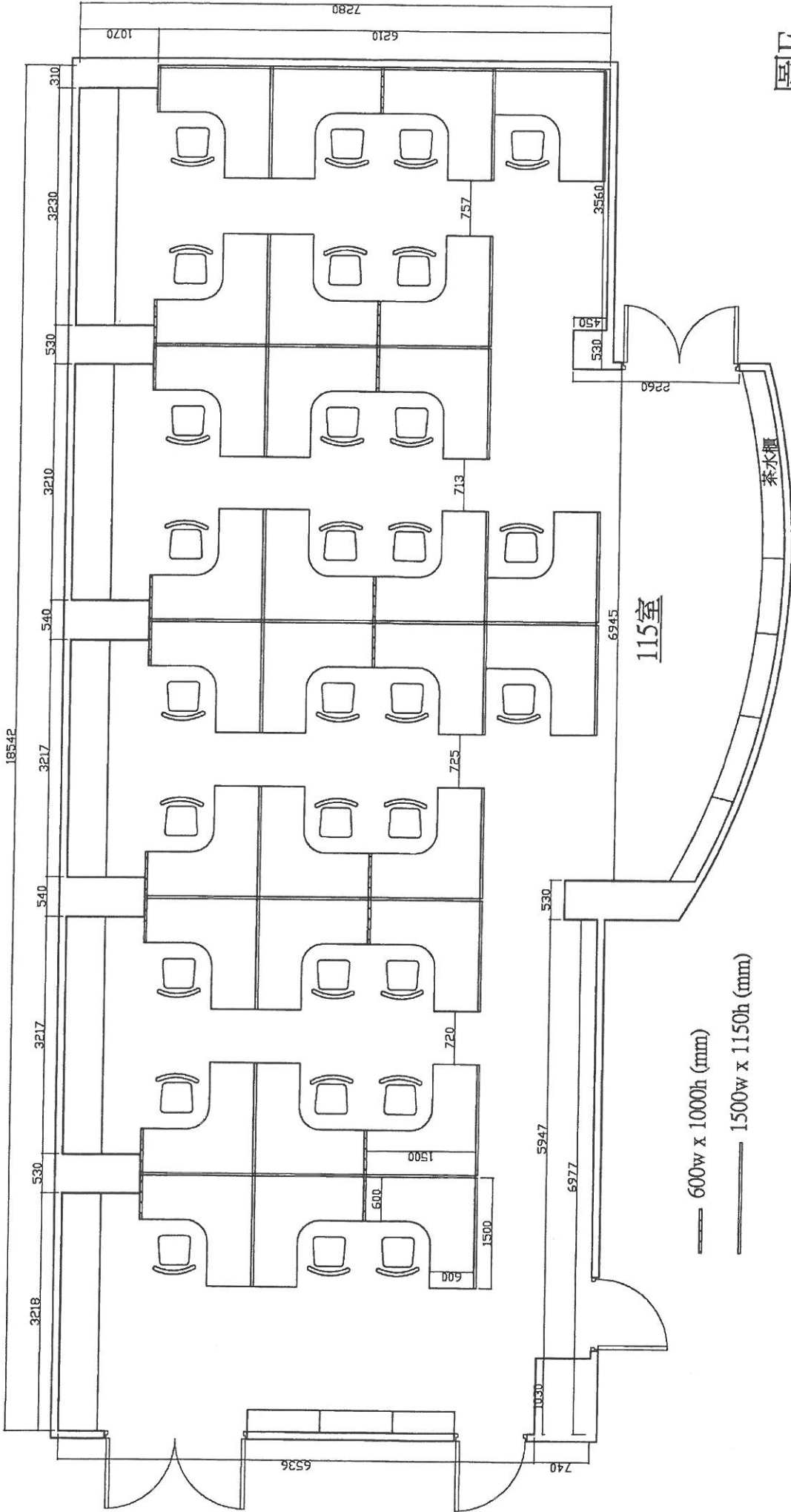


1個 (Ei)



1組 (Eii)

圖E



NOTES:
ALL MEASUREMENT MUST BE CHECKED AT SITE.
DO NOT SCALE DRAWING.

REV.	DATE	DESCRIPTION	INITIAL

JOB:
真道書院 (中學部)

DRAWING TITLE:
平面圖 (115室)

SCALE:	DRAWN:
DATE:	CHECK:
DRAWING NO:	REV.:

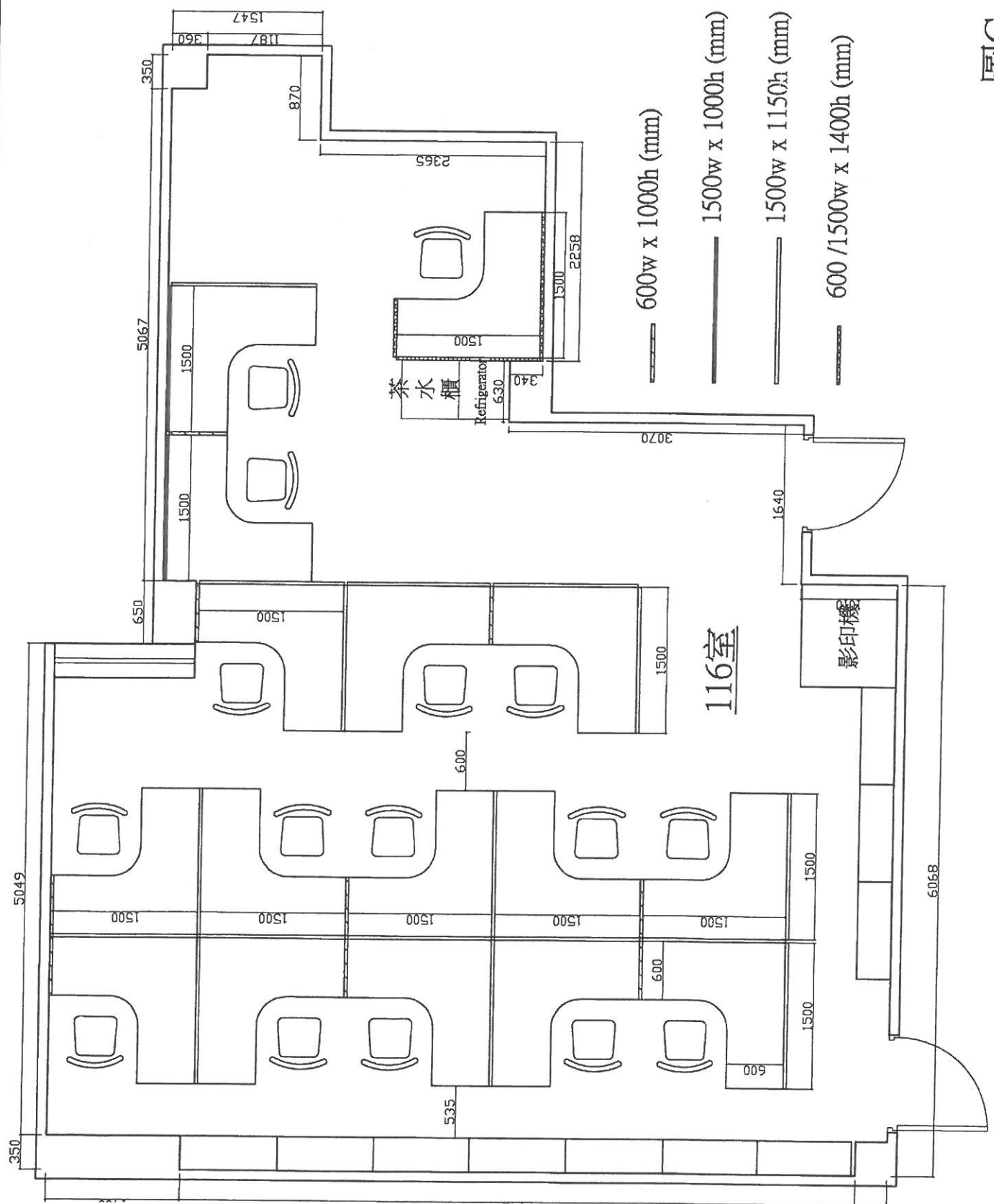
NOTES:
ALL MEASUREMENT MUST BE CHECKED AT SITE
DO NOT SCALE DRAWING.

REV.	DATE	DESCRIPTION	INITIAL

JOB:
真道書院 (小學部)

DRAWING TITLE:
平面圖 (116室)

SCALE:	DRAWN:
DATE:	CHECK:
DRAWING NO:	REV.

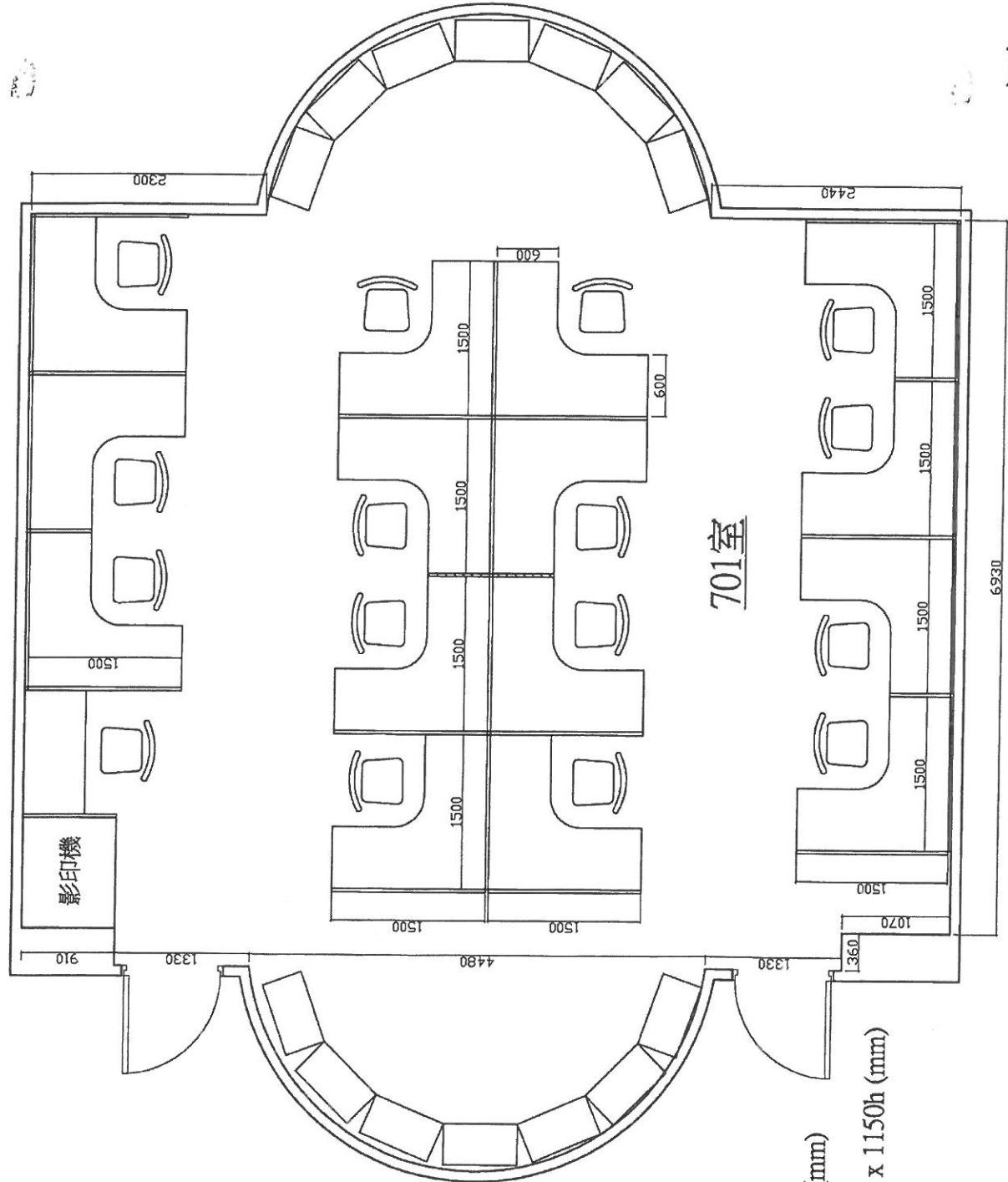


圖G

NOTES:
ALL MEASUREMENT MUST BE CHECKED AT SITE
DO NOT SCALE DRAWING.

REV.	DATE	DESCRIPTION	INITIAL

JOB: 真道書院 (中學部)
DRAWING TITLE: 平面圖 (701室)
SCALE: DRAWN:
DATE: CHECK:
DRAWING NO: REV.



- 600w x 1000h (mm)
- 1500w x 1150h (mm)

NOTES:
ALL MEASUREMENT MUST BE CHECKED AT SITE
DO NOT SCALE DRAWING.

REV.	DATE	DESCRIPTION	INITIAL

JOB:

真道書院 (中學部)

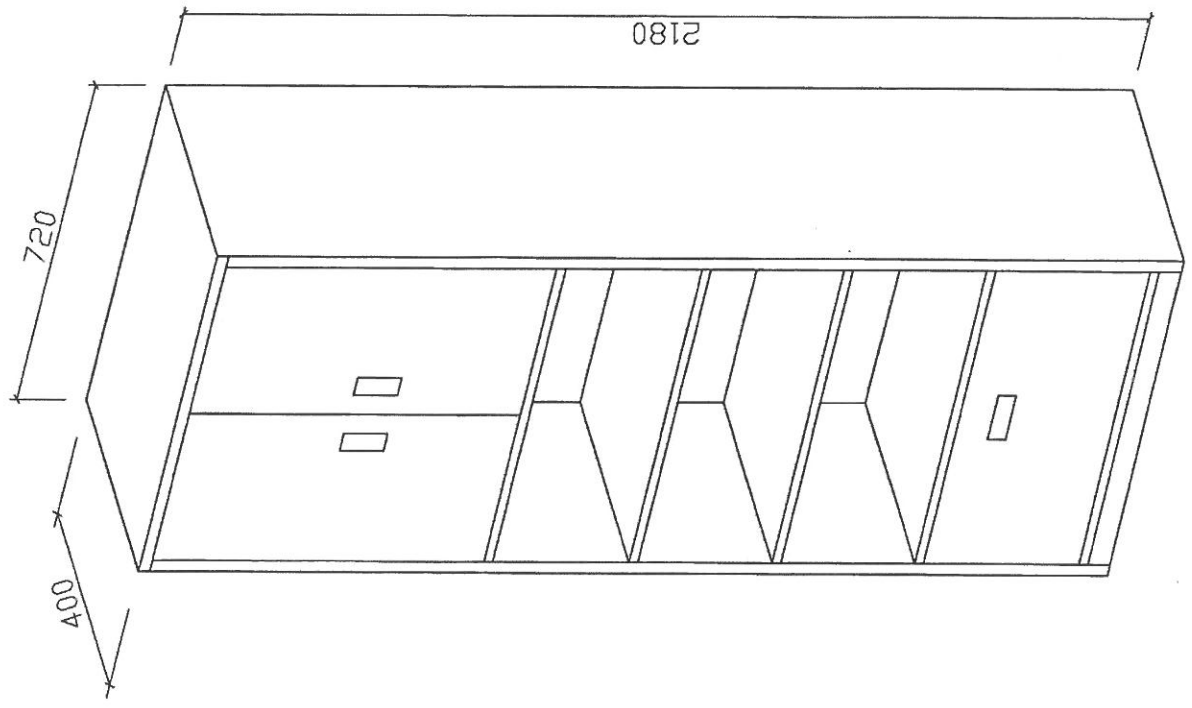
DRAWING TITLE:

特做木櫃 (701室)

SCALE: DRAWN:

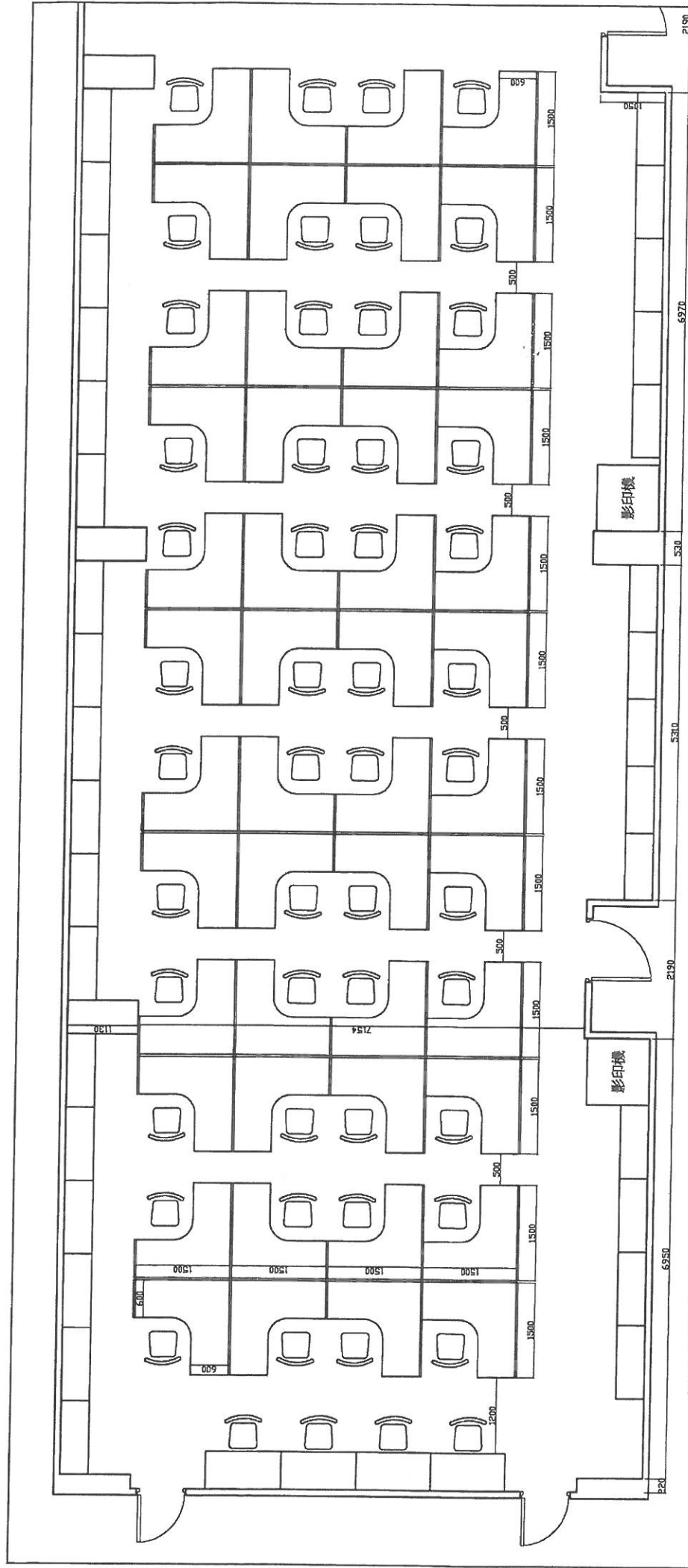
DATE: CHECK:

DRAWING NO: REV.



14個

圖



705-709教員室

——— 600w x 1000h (mm)
 ——— 1500w x 1150h (mm)

圖

NOTES:
ALL MEASUREMENT MUST BE CHECKED AT SITE.
DO NOT SCALE DRAWING.

JOB: 真道書院 (中學部)
 DRAWING TITLE: 平面圖 (705-709室)

REV.	DATE	DESCRIPTION	INITIAL

SCALE:	DRAWN:
DATE:	CHECK:
DRAWING NO:	REV.

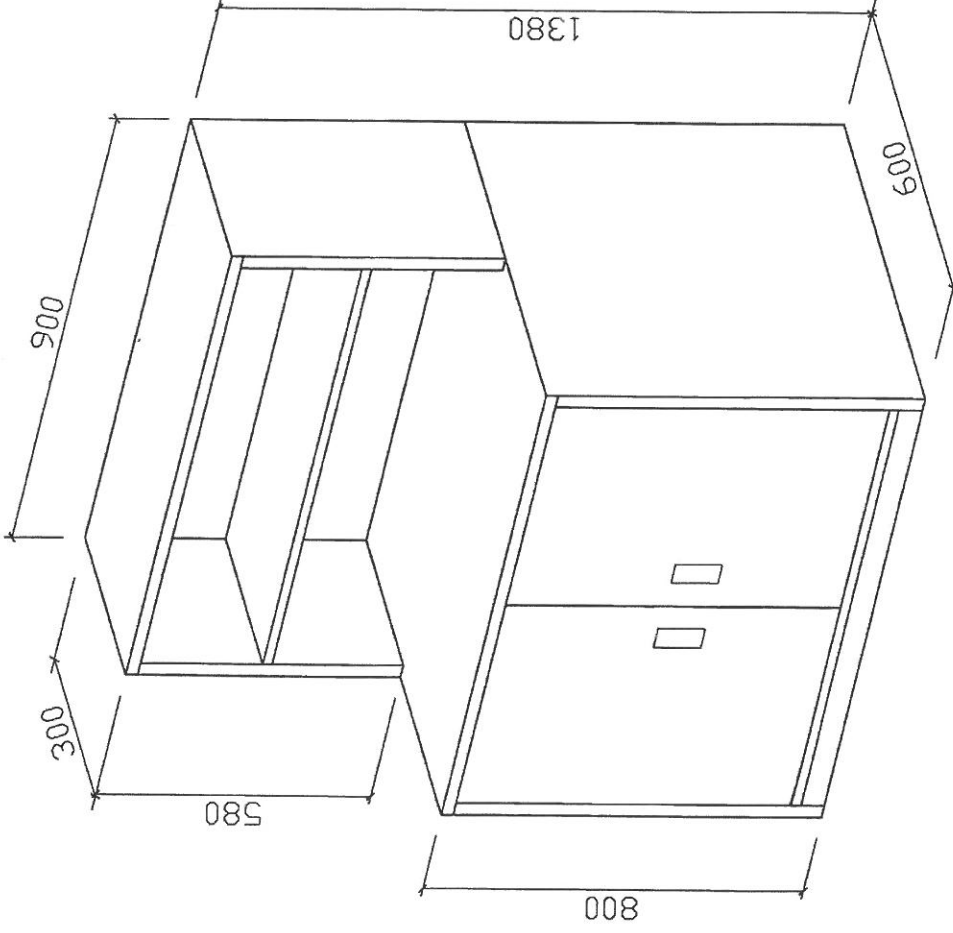
NOTES:
ALL MEASUREMENT MUST BE CHECKED AT SITE.
DO NOT SCALE DRAWING.

REV.	DATE	DESCRIPTION	INITIAL

JOB: 真道書院 (小學部)

DRAWING TITLE:
茶水櫃 (116室)

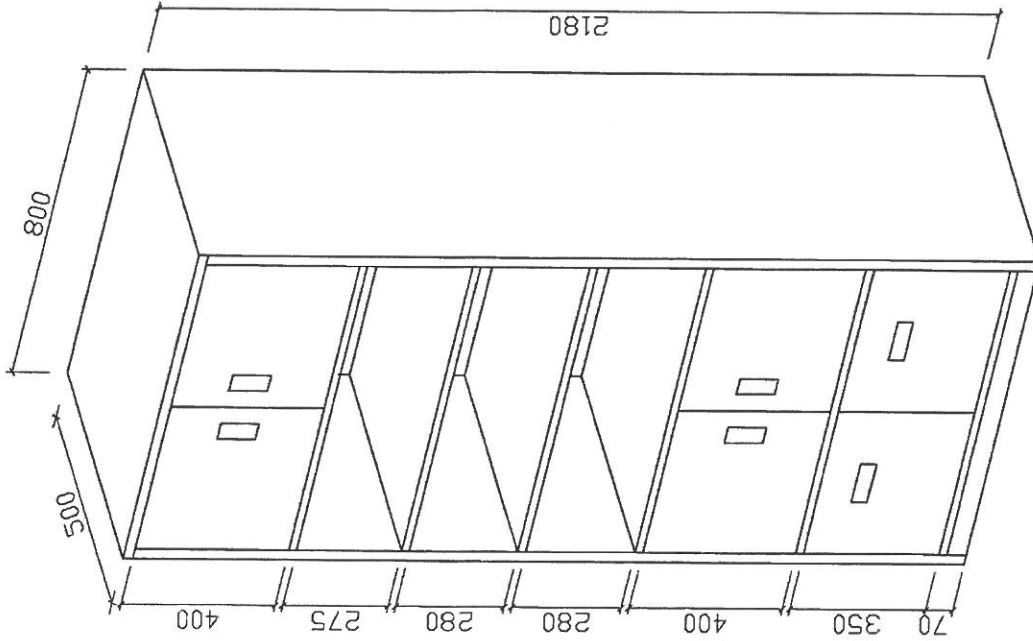
SCALE:	DRAWN:
DATE:	CHECK:
DRAWING NO:	REV.



1個

圖K

NOTES:
ALL MEASUREMENT MUST BE CHECKED AT SITE.
DO NOT SCALE DRAWING.



特做上掩門中空格下抽斗組合木櫃
最低層放HANGING FILE

圖

REV.	DATE	DESCRIPTION	INITIAL

JOB:
真道書院 (中學部)

DRAWING TITLE:
特做木櫃 (115室)

SCALE:	DRAWN:
DATE:	CHECK:
DRAWING NO:	REV.

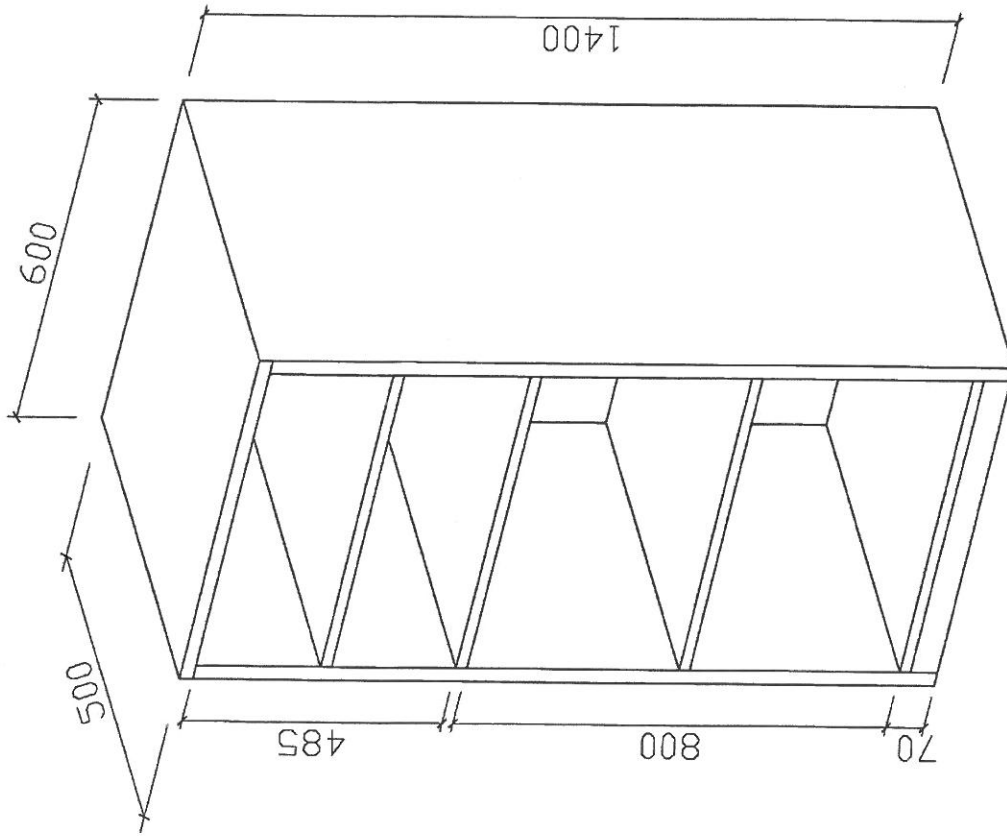
NOTES:
ALL MEASUREMENT MUST BE CHECKED AT SITE.
DO NOT SCALE DRAWING.

REV.	DATE	DESCRIPTION	INITIAL

JOB:
真道書院 (中學部)

DRAWING TITLE:
特做書架 (115室)

SCALE:	DRAWN:
DATE:	CHECK:
DRAWING NO:	REV:



圖M