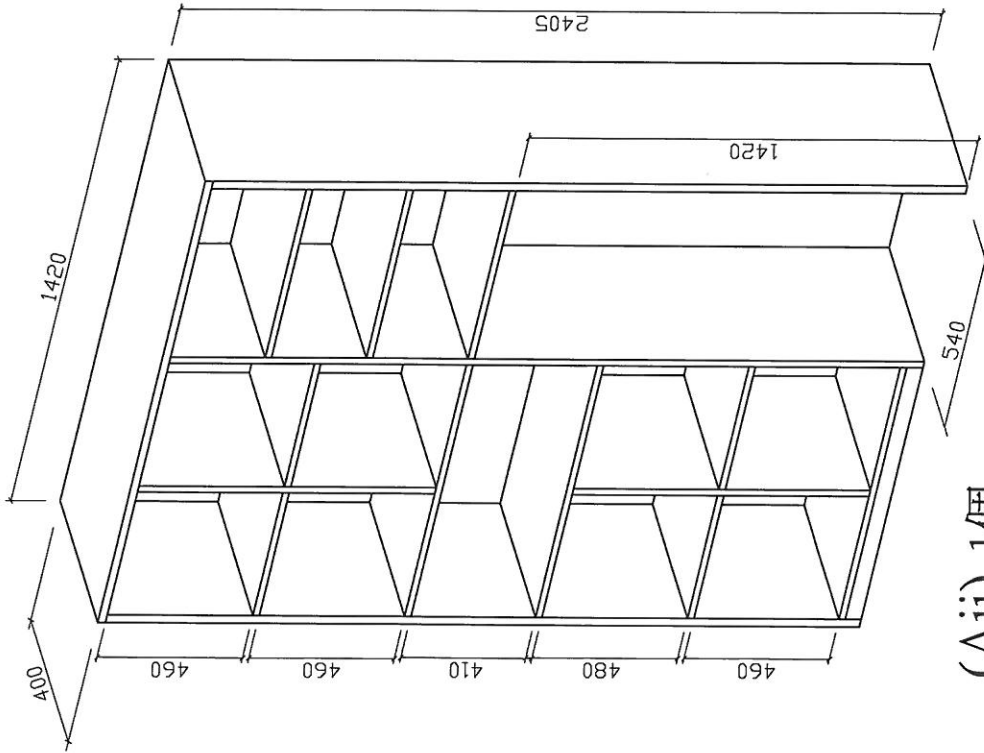


NOTES:
ALL MEASUREMENT MUST BE CHECKED AT SITE.
DO NOT SCALE DRAWING.

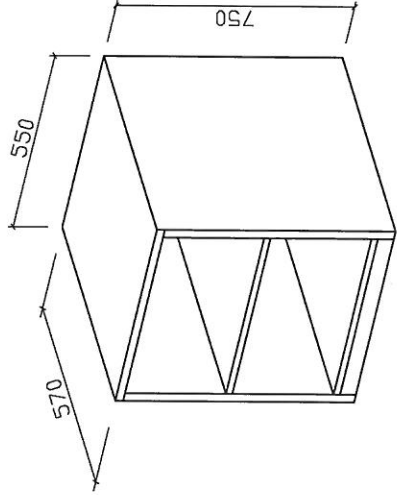
REV.	DATE	DESCRIPTION	INITIAL

JOB: 真道書院 (小學部)
DRAWING TITLE: 特做木櫃 (509室)

SCALE:	DRAWN:	DRAWING NO.:	REV.:
DATE:	CHECK:		



(Aii) 1個



1個 (Ai)

圖A

NOTES:
ALL MEASUREMENT MUST BE CHECKED AT SITE.
DO NOT SCALE DRAWING.

REV.	DATE	DESCRIPTION	INITIAL

JOB:

真道書院 (小學部)

DRAWING TITLE:

特做木櫃 (704室)

SCALE:

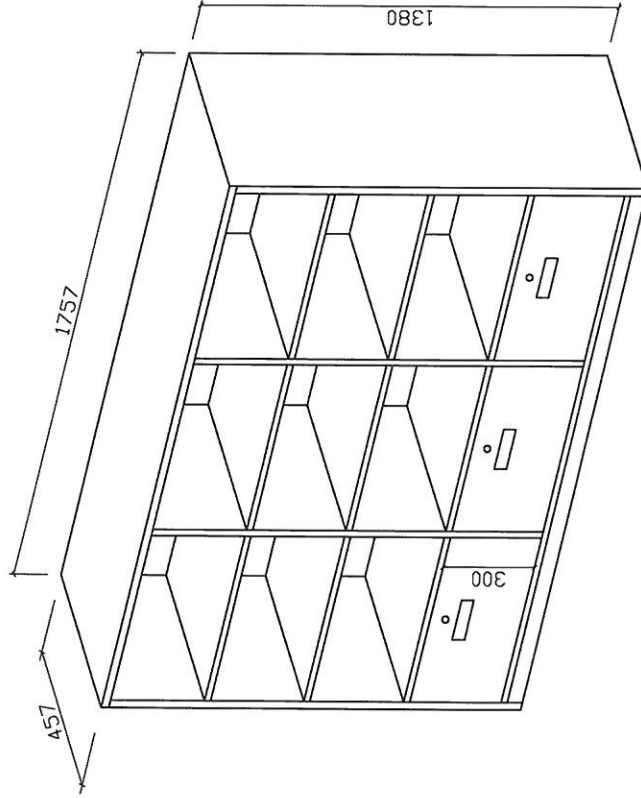
DRAWN:

DATE:

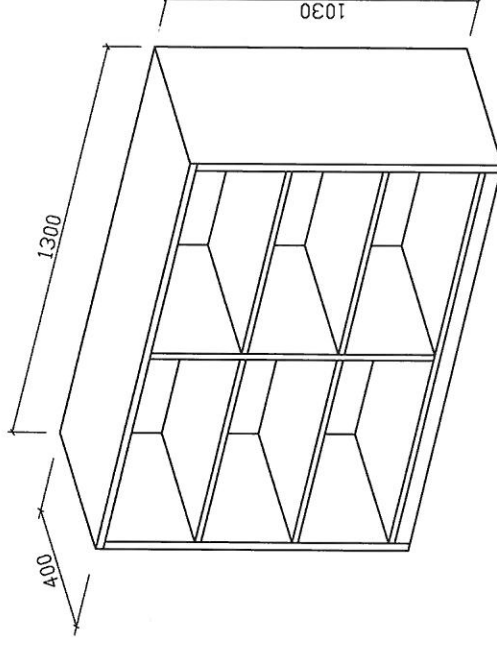
CHECK:

DRAWING NO:

REV.



3個 (Bi)



3個 (Bii)

圖B

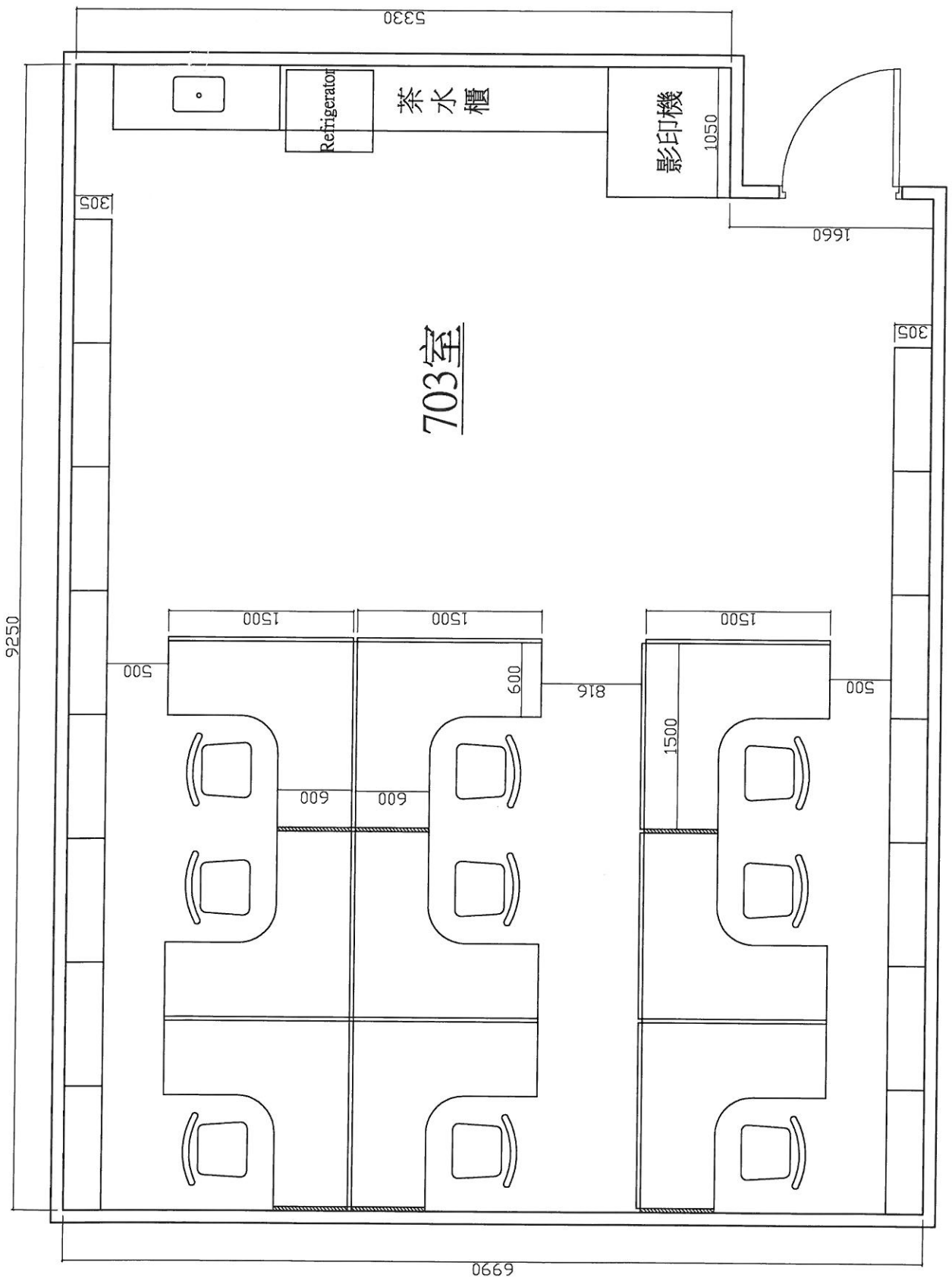
NOTES:
ALL MEASUREMENT MUST BE CHECKED AT SITE.
DO NOT SCALE DRAWING.

REV.	DATE	DESCRIPTION	INITIAL

JOB:
真道書院 (小學部)

DRAWING TITLE:
平面圖 (703室)

SCALE:	DRAWN:
DATE:	CHECK:
DRAWING NO:	REV.



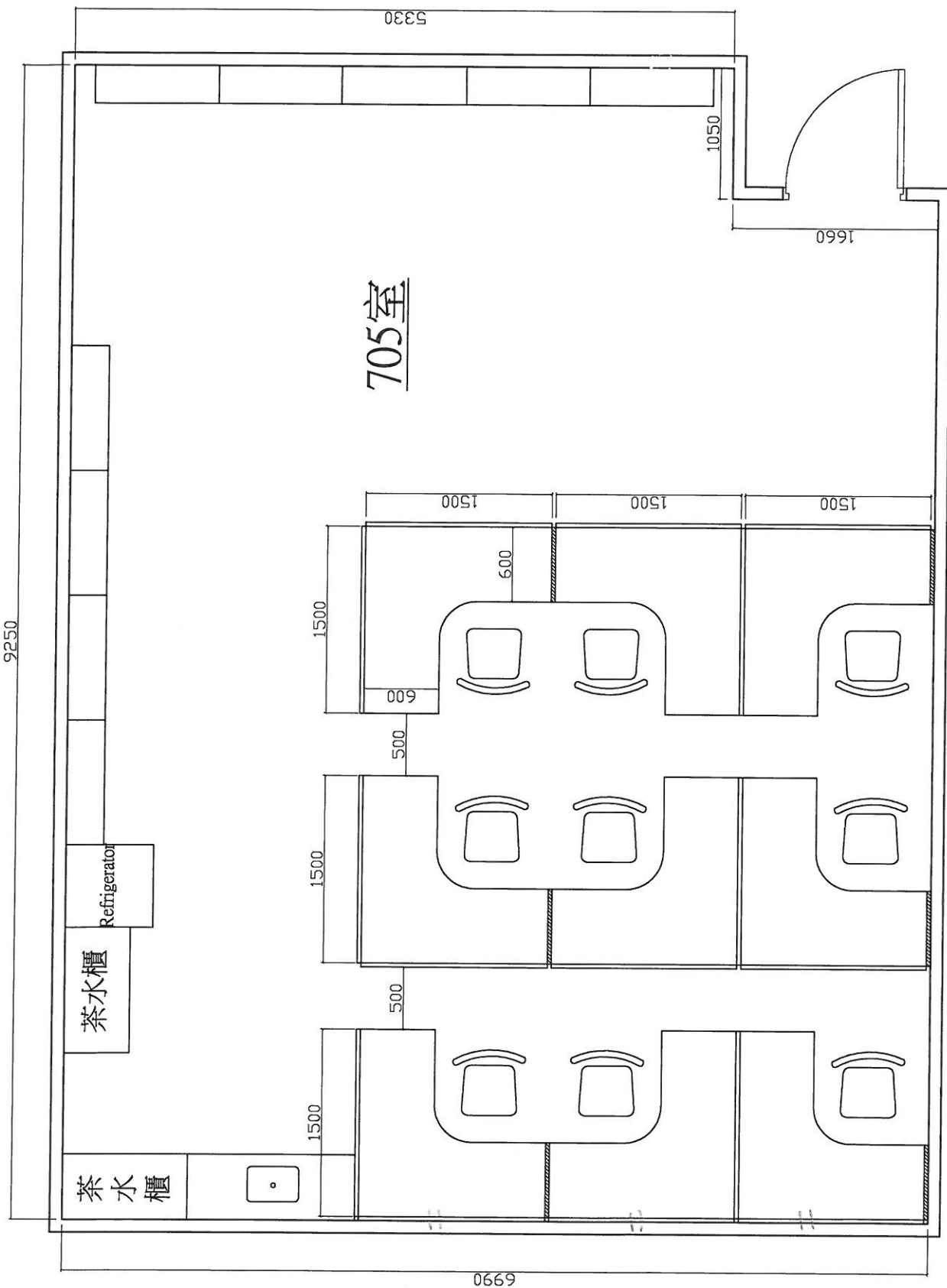
圖C

NOTES:
ALL MEASUREMENT MUST BE CHECKED AT SITE.
DO NOT SCALE DRAWING.

REV.	DATE	DESCRIPTION	INITIAL

JOB: 真道書院 (小學部)
DRAWING TITLE: 平面圖 (705室)

SCALE:	DRAWN:
DATE:	CHECK:
DRAWING NO:	REV.



圖D

1100

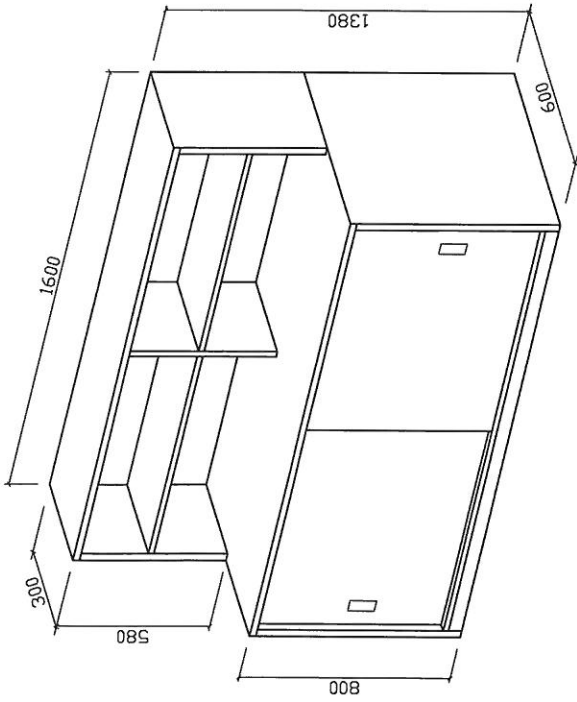
NOTES:
ALL MEASUREMENT MUST BE CHECKED AT SITE.
DO NOT SCALE DRAWING.

REV.	DATE	DESCRIPTION	INITIAL

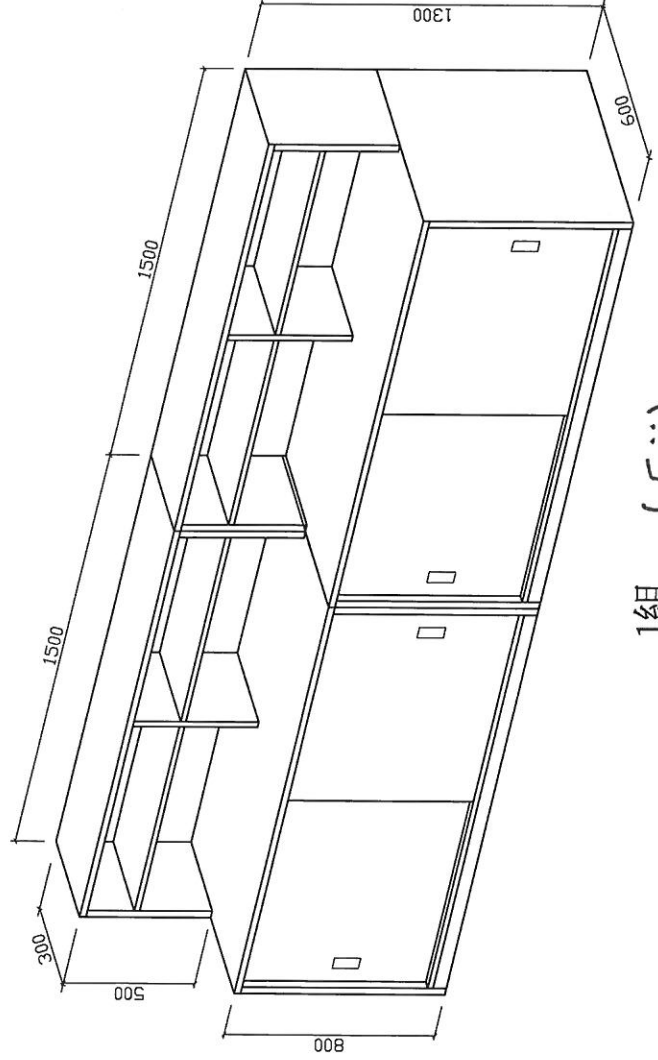
JOB: 真道書院 (中學部)

DRAWING TITLE:
茶水櫃

SCALE:	DRAWN:
DATE:	CHECK:
DRAWING NO:	REV.



1個 (Ei)



1組 (Eii)

圖E

NOTES:
ALL MEASUREMENT MUST BE CHECKED AT SITE
DO NOT SCALE DRAWING.

REV.	DATE	DESCRIPTION	INITIAL

JOB:

真道書院 (小學部)

DRAWING TITLE:

平面圖 (116室)

SCALE:

DRAWN:

DATE:

CHECK:

DRAWING NO:

REV.

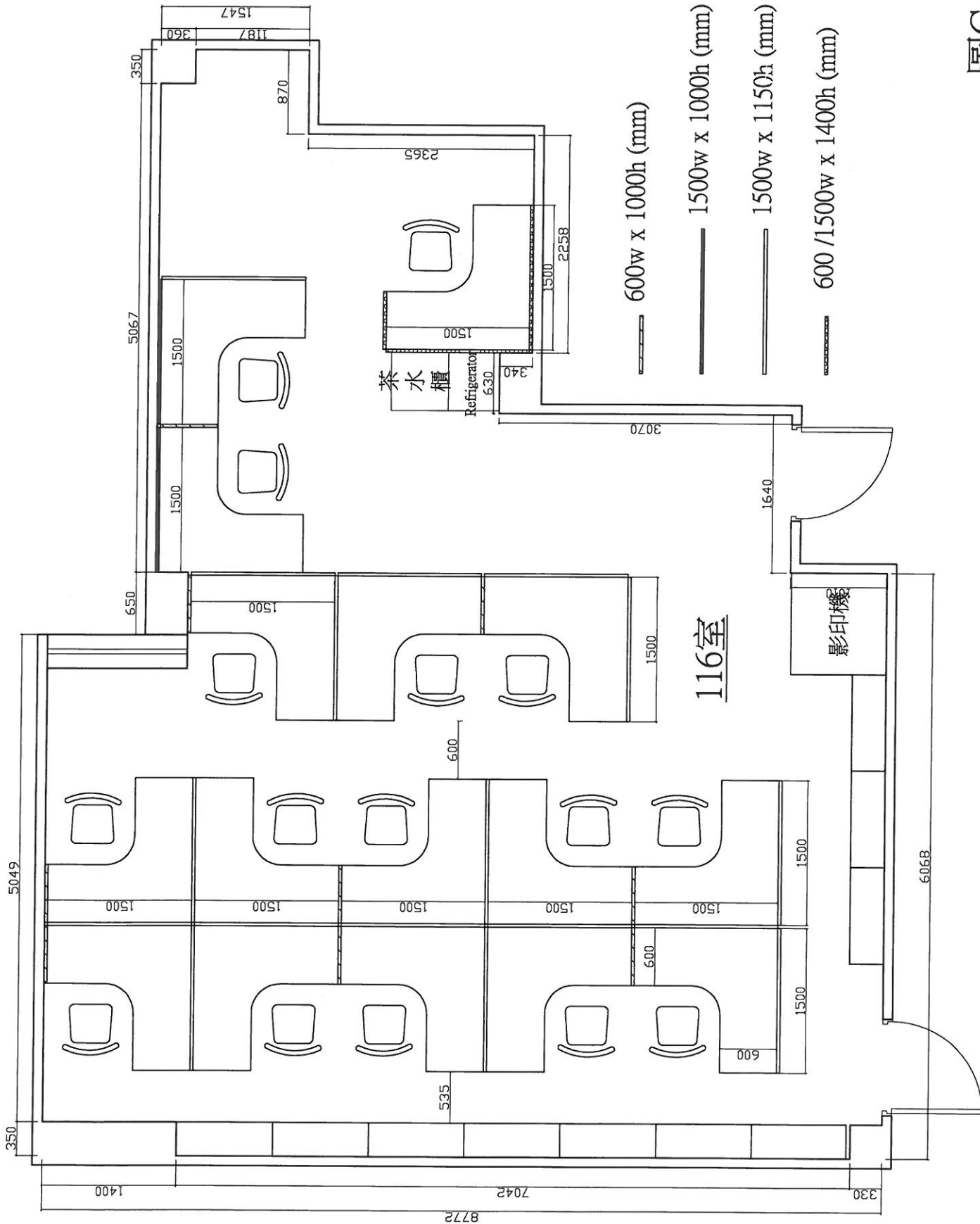


圖 G

NOTES:
ALL MEASUREMENT MUST BE CHECKED AT SITE
DO NOT SCALE DRAWING.

REV.	DATE	DESCRIPTION	INITIAL

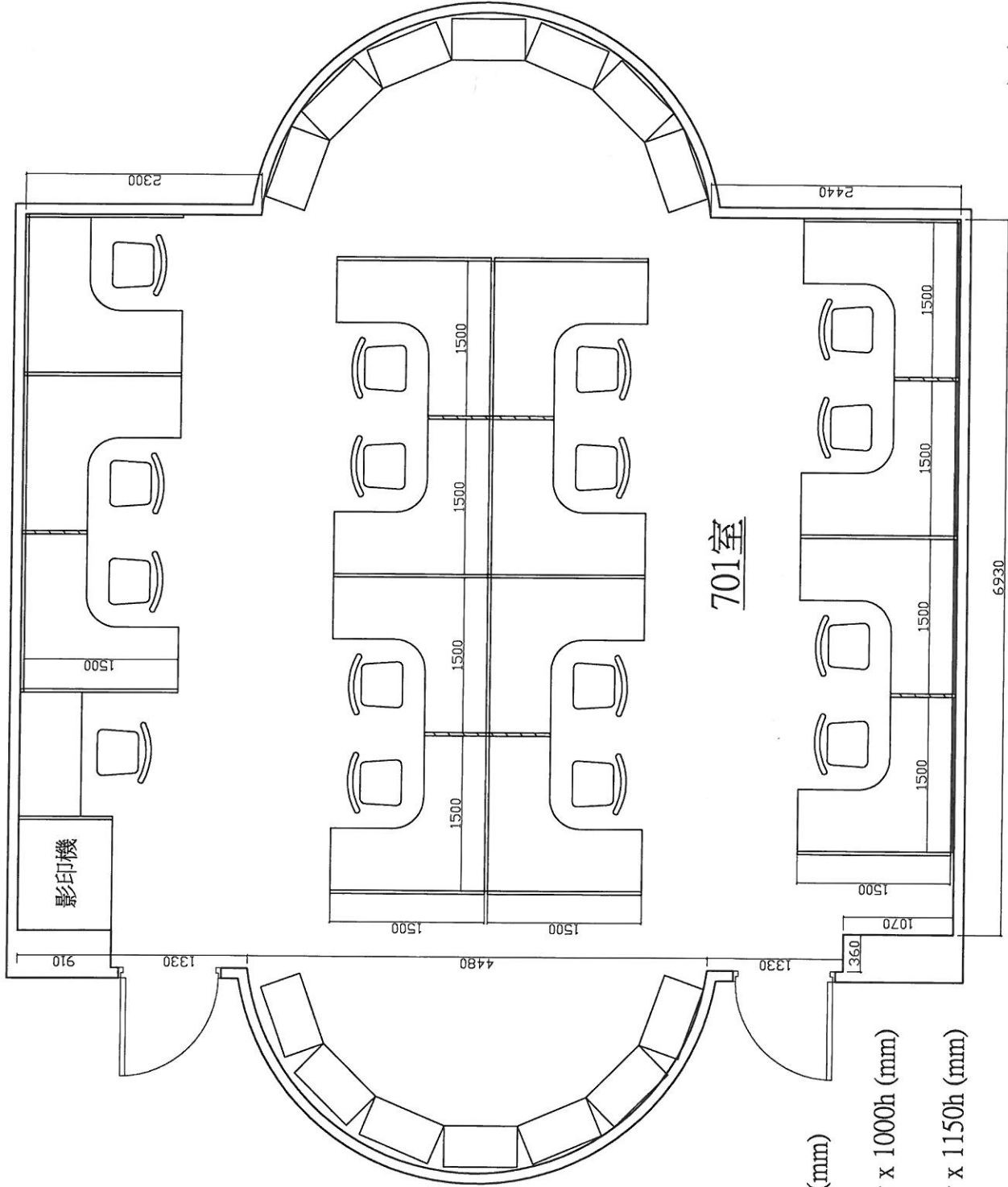
JOB: 真道書院 (中學部)

DRAWING TITLE:
平面圖 (701室)

SCALE: DRAWN:

DATE: CHECK:

DRAWING NO: REV.



- 600w x 1000h (mm)
- 1500w x 1000h (mm)
- 1500w x 1150h (mm)

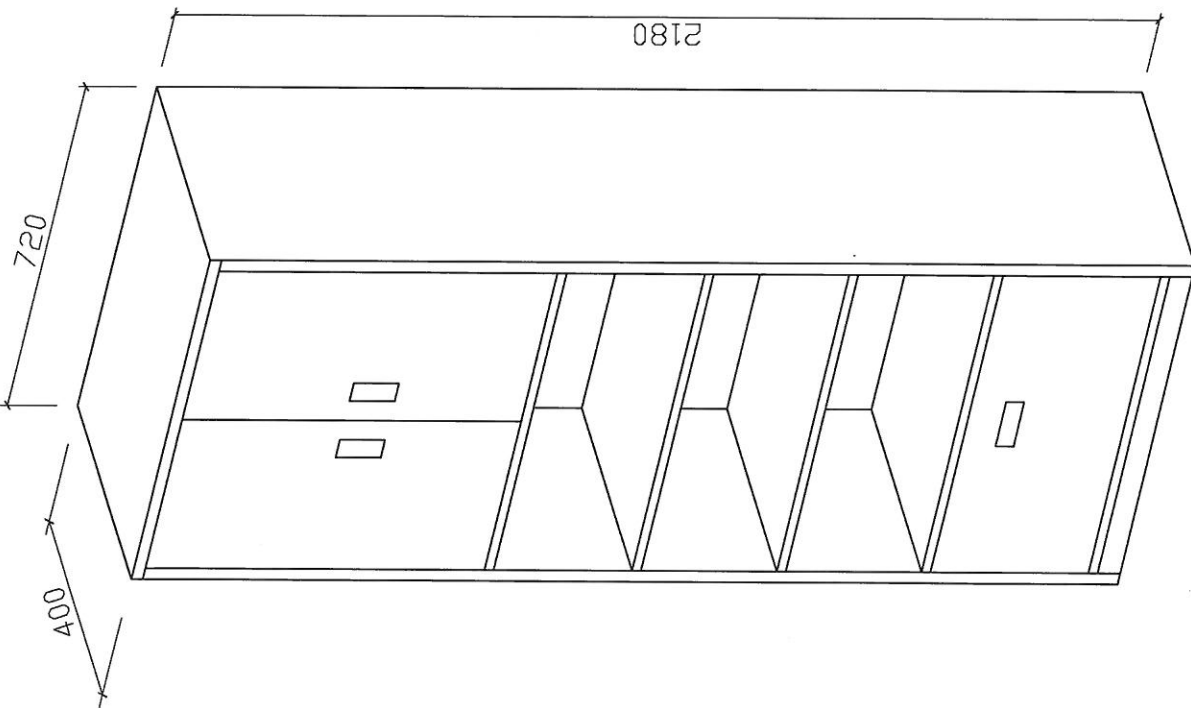
NOTES:
ALL MEASUREMENT MUST BE CHECKED AT SITE.
DO NOT SCALE DRAWING.

REV.	DATE	DESCRIPTION	INITIAL

JOB:
真道書院 (中學部)

DRAWING TITLE:
特做木櫃 (701室)

SCALE:	DRAWN:	DRAWING NO:	REV.
DATE:	CHECK:		



14個

圖

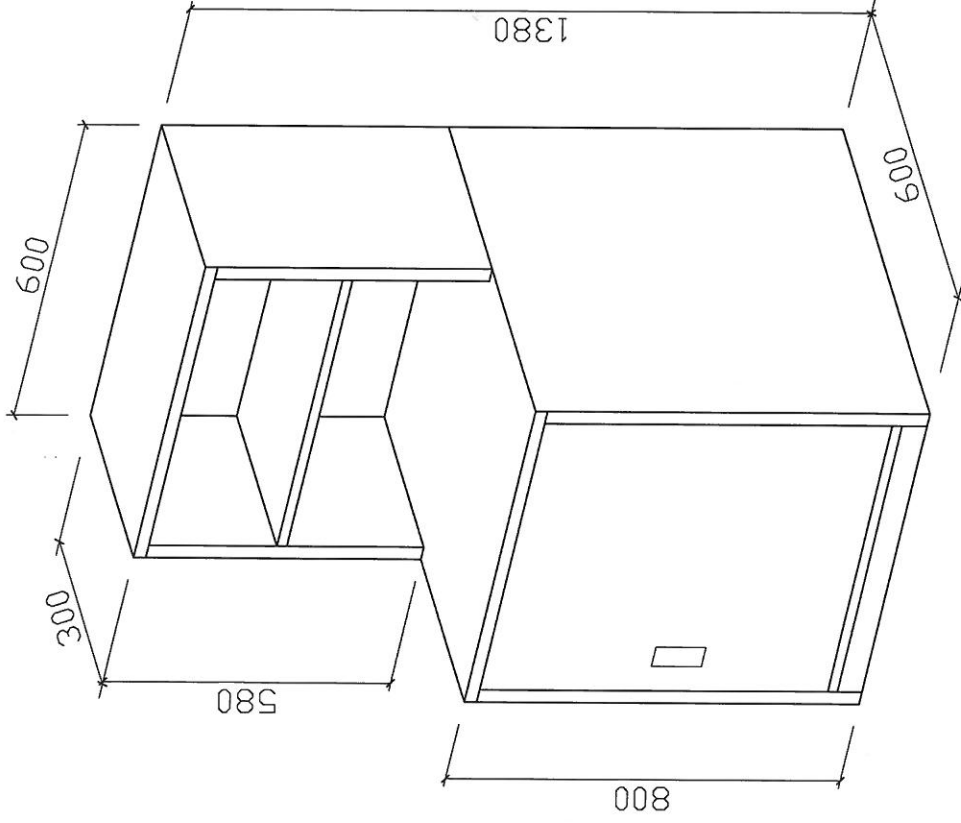
NOTES:
ALL MEASUREMENT MUST BE CHECKED AT SITE
DO NOT SCALE DRAWING.

REV.	DATE	DESCRIPTION	INITIAL

JOB:
真道書院 (小學部)

DRAWING TITLE:
茶水櫃 (116室)

SCALE:	DRAWN:
DATE:	CHECK:
DRAWING NO:	REV.



1個

圖K